

Instructions

Rack Mount Bracket

Before attempting to mount this product, please read these instructions carefully and save this manual for future use.

Model No. **WV-Q204/1**
WV-Q204/2

These Rack Mounting Brackets are used for mounting such as the WJ-NT104, etc.

INSTALLATIONS

The installation described below should be made by qualified service personnel or system installers.

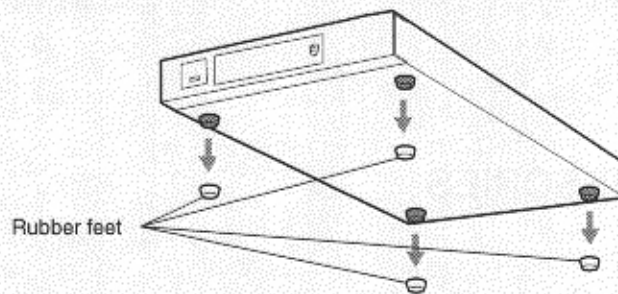
■ Mounting in a Rack

WV-Q204/1 can mount the WJ-NT104 on the rack.

WV-Q204/2 can mount side by side up to two WJ-NT104s on the rack.

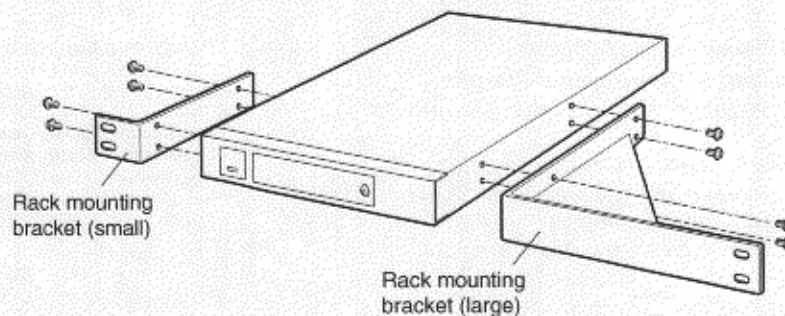
Illustrations as shown below are examples to install WJ-NT104 and WJ-NT104s.

1. Remove the four rubber feet by removing the four screws from the bottom of the WJ-NT104.



● Mounting one WJ-NT104 with the WV-Q204/1

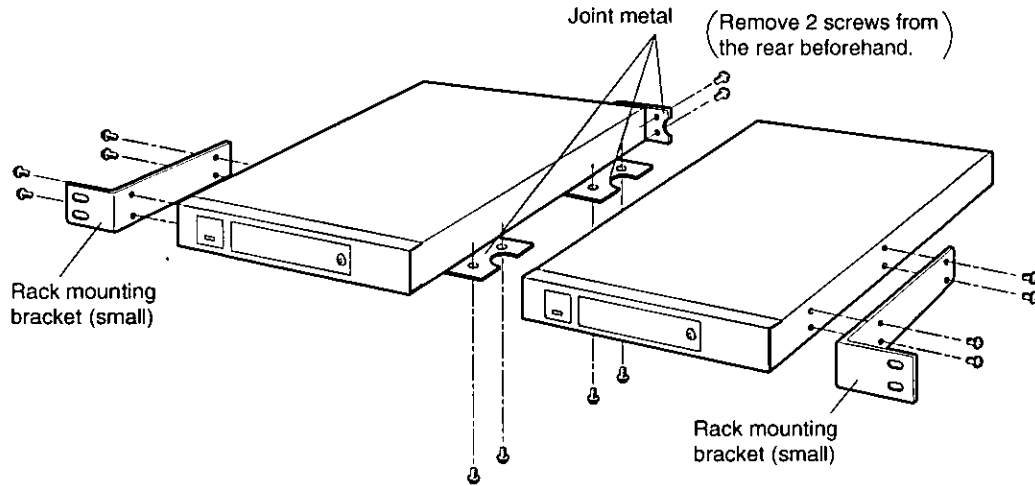
2. Fix the mounting brackets (large and small) on both sides of the WJ-NT104 with the eight supplied screws (M3x8) as shown below.



● **Mounting two WJ-NT104 with the WV-Q204/2**

2. Place the joint metals on the WJ-NT104s as shown below and fix them with the supplied screws (M3x6)
Note: Remove two screws from the rear of the WJ-NT104 beforehand.

Fix the mounting brackets (small) on both sides of the WJ-NT104s with the eight supplied screws (M3x8) as shown below.

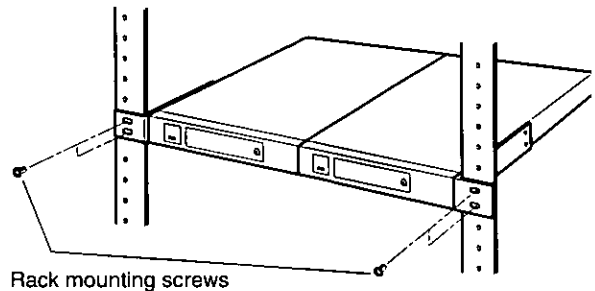


3. Install the WJ-NT104s with the rack mounting brackets in the rack by using four screws (not included).

Cautions:

- Do not block the ventilation opening or slots in the cover to prevent the appliance from overheating.
 Always keep the temperature in the rack within +50°C (122°F).
- Secure the rear of the appliance to the rack by using additional mounting brackets (procured locally) if the rack is subject to vibration.

Mounting two WJ-NT104s



STANDARD ACCESSORIES

WV-Q204/1: Mount Screw
 Binding head (M3 x 8) 8 pcs.

WV-Q204/2: Mount Screws
 Binding head (M3 x 8) 8 pcs.
 Flat head (M3 x 6) 12 pcs.

Specifications are subject to change without notice.

Tapping screws are not used in this Rack Mount Bracket.

Panasonic Security and Digital Imaging Company
A Division of Matsushita Electric Corporation of America
Executive Office: One Panasonic Way 3E-7, Secaucus, New Jersey 07094
Regional Offices:
 Northeast: One Panasonic Way, Secaucus, NJ 07094 (201) 348-7303
 Southern: 1225 Northbrook Parkway, Suite 1-160, Suwanee, GA 30024 (770) 338-6838
 Midwest: 1707 North Randall Road, Elgin, IL 60123 (847) 468-5211
 Western: 6550 Katella Ave., Cypress, CA 90630 (714) 373-7840

Panasonic Canada Inc.
 5770 Ambler Drive, Mississauga,
 Ontario, L4W 2T3 Canada (905)624-5010

Panasonic Sales Company
Division of Matsushita Electric of Puerto Rico Inc.
 Ave. 65 de Infantería, Km. 9.5
 San Gabriel Industrial Park, Carolina,
 Puerto Rico 00985 (809)750-4300